

"BUX" / Low-profile and High Accuracy

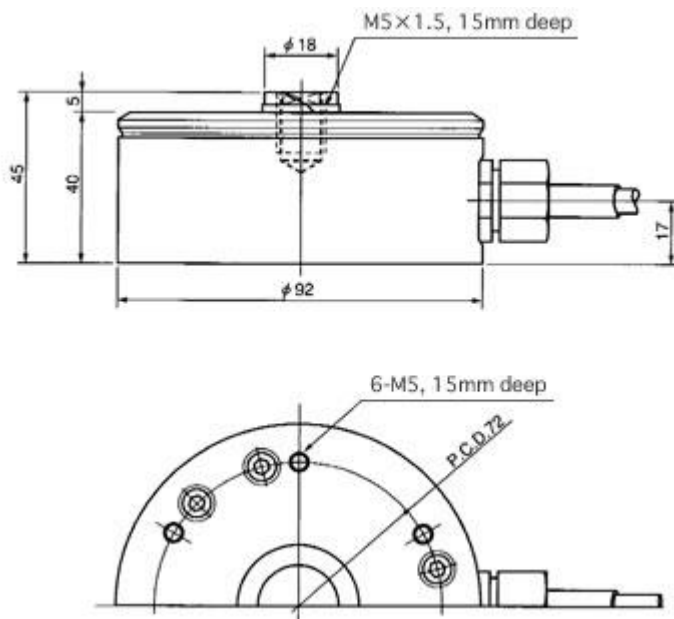


Features

- High accuracy. Filled with inactive gases.
- Built-in mechanisms that are hard to receive effects from atmospheric pressures.
- Can be used as a load cell for the standardizing purposes.
- Supplied with an inspection data sheet to both tension and compression directions.
- Accuracy Class: 0.012%.

Related products : *RCT-E / DBU / CUX...*

Appearance Dimensions



Model and Capacity / Dimension / etc. (unit : mm)

Model	Capacity	Natural frequency	Weight
BUX-100N	100N	0.9kHz	0.9kg
BUX-200N	200N	1.2kHz	0.9kg
BUX-500N	500N	1.5kHz	0.9kg
BUX-1KN	1kN	2.3kHz	0.9kg
BUX-2KN	2kN	2.5kHz	1.0kg
BUX-5KN	5kN	3.1kHz	1.0kg

Specifications

Safe Overload	150%RC
Rated Output	2mV/V±0.1%
Nonlinearity	0.012%RO
Hysteresis	0.012%RO
Repeatability	0.01%RO
Excitation Voltage	20V (or less)
Safe Excitation Voltage	30V
Input Resistance	1050Ω
Output Resistance	1050Ω
Compensated Temp.Range	− 10 to 50°C
Safe Temp.Range	− 30 to 80°C
Temp.Effect on Zero	0.0015%RO/°C
Temp.Effect on Output	0.0015%/°C
Cable	Φ6mm-4wire shielded cable, length : 5m