

## "CUX" / High Accuracy with Atmospheric pressure balance

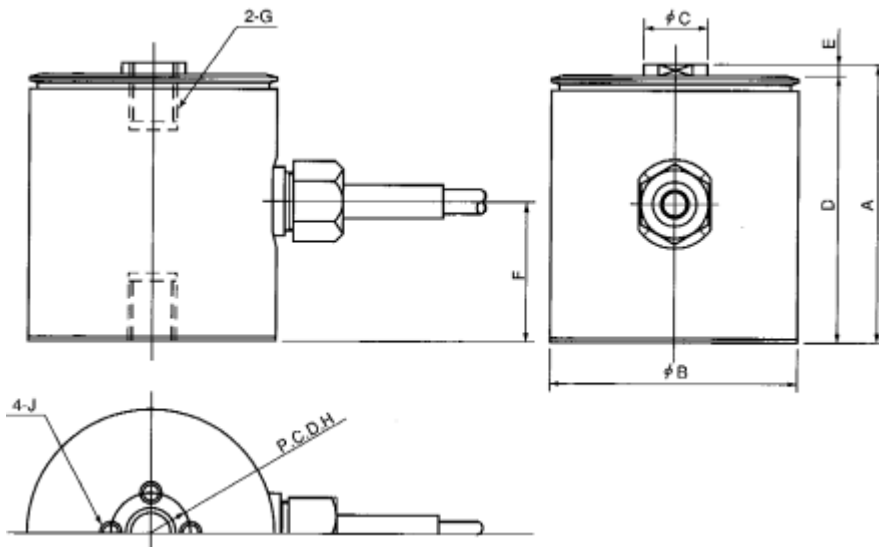


### Features

- Covering a wide capacity range (200N to 5kN).
- High accuracy. Filled with inactive gases.
- Built-in mechanisms that are hard to receive effects from atmospheric pressures.
- Can be used as a load cell for the standardizing purposes.
- Supplied with an inspection data sheet to both tension and compression directions.
- Accuracy Class: 0.02%.

Related products : *RCT-E / DBU / BUX...*

### Appearance Dimensions



Model and Capacity / Dimension / etc. (unit : mm)

Model	Capacity	A	B	C	D	E	F	G	H	J	Weight
CUX-200N	200N	70	62	18	67	3	35	M12*1.5,15 deep	21	M5,8 deep	約1.2kg
CUX-500N	500N	70	62	18	67	3	35	M12*1.5,15 deep	21	M5,8 deep	約1.2kg
CUX-1KN	1kN	70	62	18	67	3	35	M12*1.5,15 deep	21	M5,8 deep	約1.2kg
CUX-2KN	2kN	70	62	18	67	3	35	M12*1.5,15 deep	21	M5,8 deep	約1.2kg
CUX-5KN	5kN	98	75	19	94	4	48	M12*1.5,15 deep	60	M6,8 deep	約1.5kg

## Specifications

Safe Overload	150%RC
Rated Output	1.5mV/V±1%
Nonlinearity	0.02%RO
Hysteresis	0.02%RO
Repeatability	0.015%RO
Excitation Voltage	12V (or less)
Safe Excitation Voltage	20V
Input Resistance	350Ω
Output Resistance	350Ω
Compensated Temp.Range	− 10 to 60°C
Safe Temp.Range	− 30 to 80°C
Temp.Effect on Zero	0.003%RO/°C
Temp.Effect on Output	0.002%/°C
Cable	Φ6mm-4wire shielded cable, length : 5m