

## "DBU" / High Accuracy

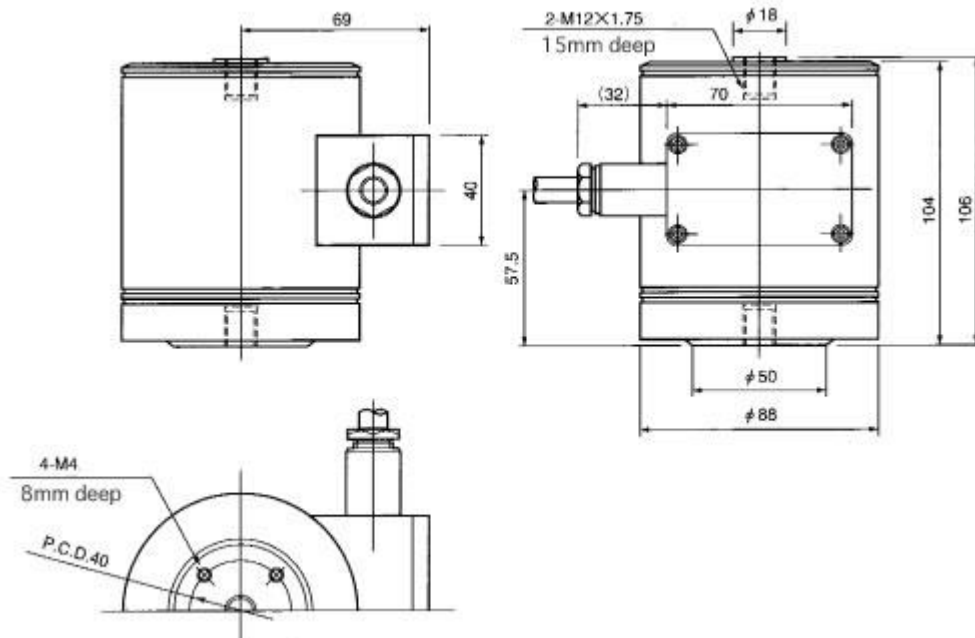


### Features

- High accuracy. Filled with inactive gases.
- Built-in mechanisms that are hard to receive effects from atmospheric pressures.
- Complying with remote-sensing requirement (by 6-conductor shielded cable).
- Can be used as a load cell for the standardizing purposes.
- Supplied with an inspection data sheet to both tension and compression directions.
- Accuracy: 0.02%.

Related products : *RCT-E / BUX / CUX...*

### Appearance Dimensions



Model and Capacity / Dimension / etc. (unit : mm)

Model	Capacity	Natural frequency	Weight
DBU-50N	50N	0.18kHz	3kg
DBU-100N	100N	0.27kHz	3kg
DBU-200N	200N	0.41kHz	3kg
DBU-500N	500N	0.75kHz	3kg
DBU-1KN	1kN	0.77kHz	3kg
DBU-2KN	2kN	1.6kHz	3kg
DBU-5KN	5kN	2.0kHz	3kg

## Specifications

Safe Overload	150%RC
Rated Output	2mV/V±1%
Nonlinearity	0.02%RO
Hysteresis	0.02%RO
Repeatability	0.01%RO
Excitation Voltage	12V (or less)
Safe Excitation Voltage	20V
Input Resistance	350Ω
Output Resistance	350Ω
Compensated Temp.Range	−10 to 60°C
Safe Temp.Range	−30 to 80°C
Temp.Effect on Zero	0.002%RO/°C
Temp.Effect on Output	0.002%/°C
Cable	Φ8mm-6wire shielded cable, length : 5m