

"HC" / Center Hole type

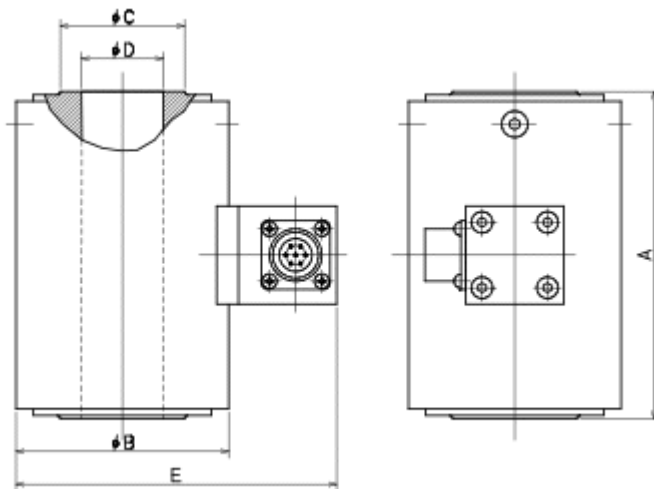


Features

- High rated capacities., Center-hole type load cells for versatile applications.
- Most suitable for tension measurement of bolts, wire-ropes and so on.
- Small size. Low cost.
- Can offer a special version with built-in spherical base for anchor bolt measurement.

Related products : PHC...

Appearance Dimensions



Model and Capacity / Dimension / etc. (unit : mm)

Model	Capacity	A	B	C	D	E	Natural frequency	Weight
HC-10KN	10kN	65	40	14	10	73	4.4kHz	0.8kg
HC-20KN	20kN	75	50	20	15	83	6.3kHz	0.8kg
HC-50KN	50kN	80	60	28	20	93	8.2kHz	1.1kg
HC-100KN	100kN	10	65	38	25	98	8.3kHz	1.6kg
HC-200KN	200kN	130	80	52	35	113	7.0kHz	3.0kg
HC-500KN	500kN	180	120	86	60	153	8.1kHz	10kg
HC-1MN	1MN	240	150	118	80	183	5.2kHz	18kg

- * Items are produced only on order placed.

Specifications

Safe Overload	150%RC
Rated Output	1.5mV/V±1%
Nonlinearity	0.2%RO
Hysteresis	0.2%RO
Repeatability	0.1%RO
Excitation Voltage	12V (or less)
Safe Excitation Voltage	20V
Input Resistance	350Ω
Output Resistance	350Ω
Compensated Temp.Range	-10 to 60°C
Safe Temp.Range	-30 to 80°C
Temp.Effect on Zero	0.01%RO/°C
Temp.Effect on Output	0.01%/°C
Connector(on body)	Receptacle / PRC03-21A10-7F
Attached cable	L-A-5 (Refer to transducer connections)