

"HCS" / Small & Washer type



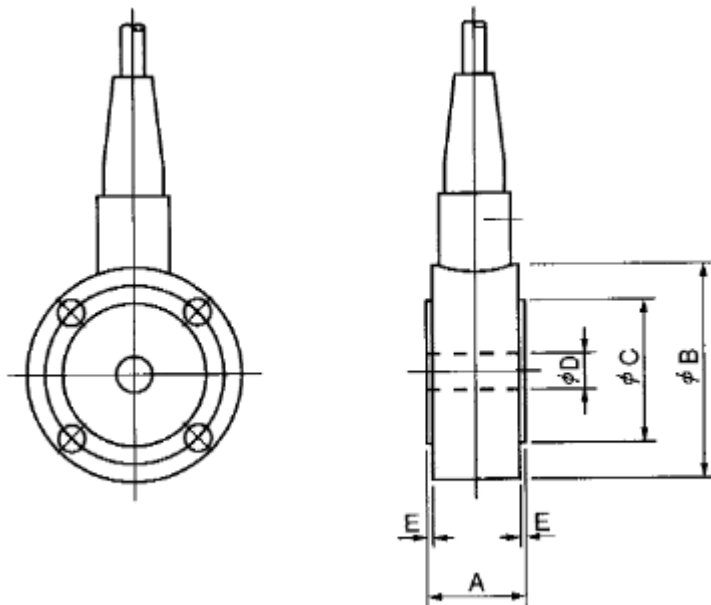
Features

- Ultra-small load cell for use in screw looseness meters.
- Classes of applicable bolts: M6, M8, M10 & M12.
- Mounting space: 36 mm in dia. and 16 mm in height.
- Can produce low capacity units upon special requirements.

Related products : SH / SHE...

*Can offer special units basing on Models SH and SHE for the measurement of axial force of bolts. Can also produce custom design units.

Appearance Dimensions



Model and Capacity / Dimension / etc. (unit : mm)

Model	Capacity	A	B	C	D	E	Natural frequency	Weight
HCS-25KN	25kN	16	36	24	6.1	0.5	1.3kHz	65g
HCS-50KN	50kN	16	36	24	8.1	0.5	1.8kHz	70g
HCS-70KN	70kN	16	36	24	10.1	0.5	2.0kHz	75g
HCS-100KN	100kN	16	36	24	12.1	0.5	2.3kHz	75g

- * The weight indicated in this data sheet does not include the weight of cables.
- * Items are produced only on order placed.

Specifications

Safe Overload	150%RC
Rated Output	1.5mV/V±20%(25kN~70kN) 1.8mV/V±20%(100kN)
Nonlinearity	3%RO
Hysteresis	3%RO
Repeatability	1.5%RO
Excitation Voltage	10V (or less)
Safe Excitation Voltage	15V
Input Resistance	350Ω
Output Resistance	350Ω
Compensated Temp.Range	-10 to 60°C
Safe Temp.Range	-30 to 80°C
Temp.Effect on Zero	0.01%RO/°C
Temp.Effect on Output	0.03%/°C
Cable	Φ4mm-4wire shielded cable, length : 5m
Attached connector	PRC03-12A10-7M