

"PHC" / Center Hole type

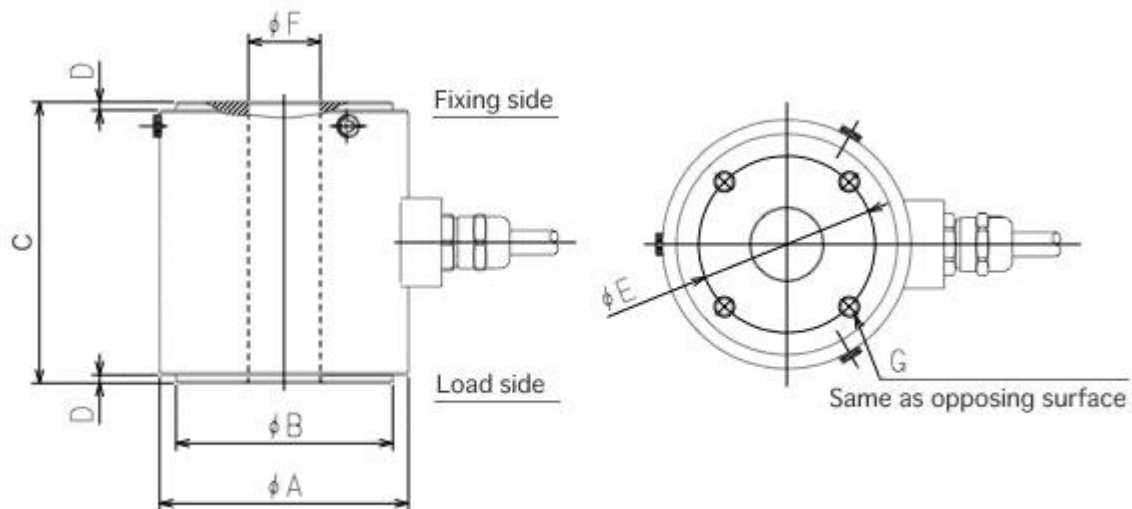


Features

- Small size. Light weight. For the control of load in electrical and hydraulic press machines.
- Supplied for the installation with top and bottom flanges. Easy mounting on the press machine already in position and on operation.
- Can make a special measurement using a hollowed space because of its center hole construction.
- Using an oil-resistant and flexible cable.

Related products : HC...

Appearance Dimensions



Model and Capacity / Dimension / etc. (unit : mm)

Model	Capacity	A	B	C	D	E	F	G	Natural frequency	Weight
PHC-5KN	5kN	40	35	50	1	24	10	2-4-M4,8 deep	8.7kHz	0.3kg
PHC-10KN	10kN	62	55	70	2	44	18	2-4-M5,8 deep	5.4kHz	0.95kg
PHC-20KN	20kN	62	55	70	2	44	18	2-4-M5,8 deep	7.5kHz	1.0kg
PHC-30KN	30kN	62	55	70	2	44	18	2-4-M5,8 deep	9.2kHz	1.0kg
PHC-50KN	50kN	62	55	70	2	44	18	2-4-M5,8 deep	11kHz	1.0kg
PHC-100KN	100kN	62	55	80	2	44	18	2-4-M5,8 deep	12kHz	1.3kg

- REMARKS:
- * Dimensions of the intersection in the in-low portion for the mounting are $\Phi^{F^{H8}}$ and $\Phi^{B^{H7}}$ on both top and bottom surfaces. Note however that an effective size of the $\Phi^{F^{H8}}$ is 5 mm.
- * The weight given in the list does not include the weight of the cable.

Specifications

Safe Overload	120%RC
Rated Output	1mV/V \pm 1%
Nonlinearity	0.5%RO
Hysteresis	0.5%RO
Repeatability	0.3%RO
Excitation Voltage	12V (or less)
Safe Excitation Voltage	20V
Input Resistance	350 Ω
Output Resistance	350 Ω
Compensated Temp.Range	-10 to 70°C
Safe Temp.Range	-30 to 80°C
Temp.Effect on Zero	0.01%RO/°C
Temp.Effect on Output	0.03%/°C
Cable	Φ 6mm-4wire shielded cable, length : 3m