

"RCB" / Coaxial beam type

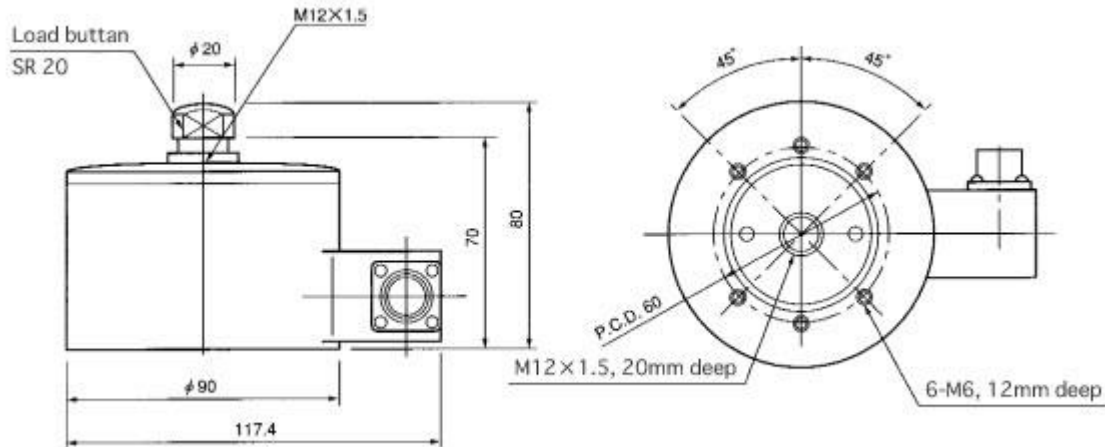


Features

- High reliability and for versatile applications.
- Most suitable for use in material testing machines.
- Ample achievements in the sale and Low costs.
- Wide capacity ranges (50N to 5kN).
- Complete with a Load Button for compression use.
- Accuracy class: 0.15%.

Related products : *RCT-E...*

Appearance Dimensions



Model and Capacity / Dimension / etc. (unit : mm)

Model	Capacity	Natural frequency	Weight
RCB-50N	50N	0.3kHz	2.0kg
RCB-100N	100N	0.6kHz	2.1kg
RCB-200N	200N	0.9kHz	2.1kg
RCB-500N	500N	1.3kHz	2.1kg
RCB-1KN	1kN	1.9kHz	2.1kg
RCB-2KN	2kN	2.5kHz	2.3kg
RCB-5KN	5kN	4.7kHz	2.3kg

Specifications

Safe Overload	150%RC
Rated Output	1.5mV/V±1%
Nonlinearity	0.15%RO
Hysteresis	0.15%RO
Repeatability	0.1%RO
Excitation Voltage	10V (or less)
Safe Excitation Voltage	15V
Input Resistance	350Ω
Output Resistance	350Ω
Compensated Temp.Range	− 10 to 60°C
Safe Temp.Range	− 30 to 80°C
Temp.Effect on Zero	0.01%RO/°C
Temp.Effect on Output	0.01%/°C
Connector(on body)	Receptacle / PRC03-21A10-7F
Attached cable	L-A-5 (Refer to transducer connections)