

"RCD" / Coaxial beam type and Small

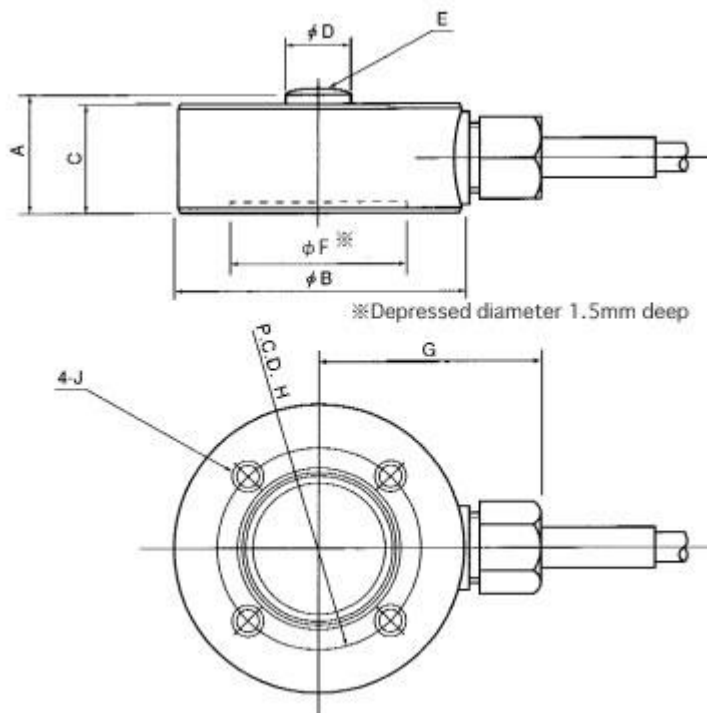


Features

- All stainless steel (SUS630) construction.
- Filled with inactive gases. Hermetically sealed construction.
- Small size and light weight.
- Accuracy class: 0.15%.

Related products : [RCD-U](#) / [MRD...](#)

Appearance Dimensions



Model and Capacity / Dimension / etc. (unit : mm)

Model	Capacity	A	B	C	D	E	F	G	H	J	Natural frequency	Weight
RCD-500N	500N	25	60	22	12	SR50	36	45	42	M5,6 deep	3.6kHz	0.7kg
RCD-1KN	1kN	25	60	22	12	SR50	36	45	42	M5,6 deep	5.4kHz	0.7kg
RCD-2KN	2kN	25	60	22	12	SR50	36	45	42	M5,6 deep	7.8kHz	0.7kg
RCD-5KN	5kN	25	60	22	12	SR50	36	45	42	M5,6 deep	13kHz	0.7kg
RCD-10KN	10kN	25	60	22	12	SR50	36	45	42	M5,6 deep	16kHz	0.8kg
RCD-20KN	20kN	25	60	22	12	SR50	36	45	42	M5,6 deep	23kHz	0.8kg
RCD-50KN	50kN	40	100	35	24	SR70	65	80	80	M8,15 deep	7.7kHz	1.8kg
RCD-100KN	100kN	40	100	35	24	SR70	65	80	80	M8,15 deep	11kHz	1.8kg
RCD-200KN	200kN	45	120	40	33	SR100	73	90	90	M8,15 deep	5kHz	3.1kg

- * Confirmation to undescribed items to be made with reference to descriptions on instruction manuals or directly to this Company.

Specifications

Safe Overload	150%RC
Rated Output	2mV/V±1%
Nonlinearity	0.15%RO(500N~20kN) 0.10%RO(50kN~200kN)
Hysteresis	0.15%RO
Repeatability	0.1%RO
Excitation Voltage	12V (or less)
Safe Excitation Voltage	20V
Input Resistance	420Ω
Output Resistance	350Ω
Compensated Temp.Range	-10 to 60°C
Safe Temp.Range	-30 to 80°C
Temp.Effect on Zero	0.01%RO/°C
Temp.Effect on Output	0.01%/°C
Cable	Φ6mm-4wire shielded cable, length : 5m(500N to 20kN) Φ8mm-4wire shielded cable, length : 5m(50kN to 200kN)