

"RCD-U" / Coaxial beam type and Water Proof

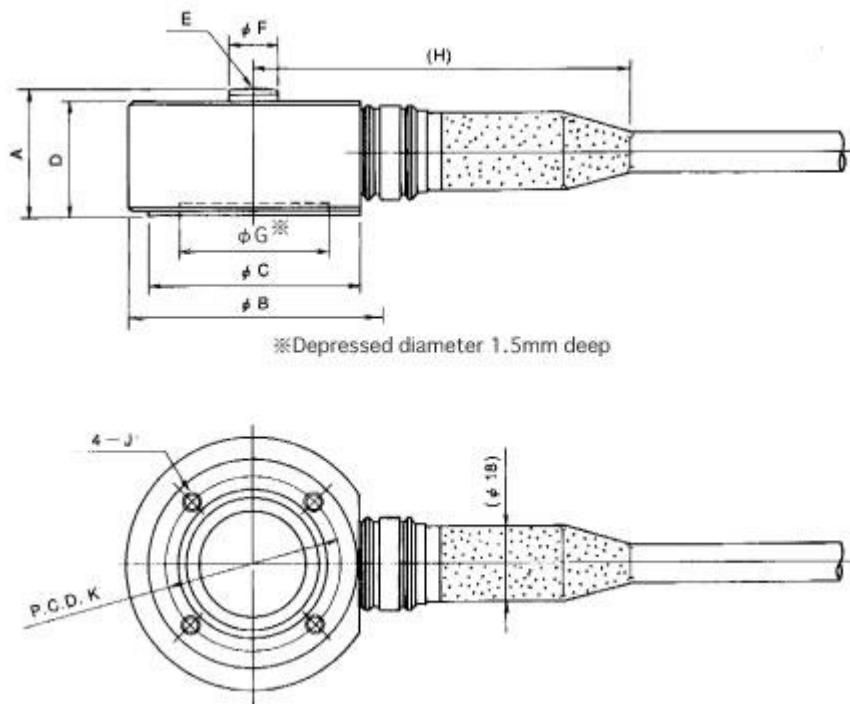


Features

- Completely satisfying waterproof requirement (JIS C 0920 Class 7). Immersion-proof allowing underwater operation.
- All stainless steel construction (SUS630).
- Small size and light weight.
- Accuracy class: 0.15%.

Related products : [RCD...](#)

Appearance Dimensions



Model and Capacity / Dimension / etc. (unit : mm)

Model	Capacity	A	B	C	D	E	F	G	H	J	K	Natural frequency	Weight
RCD-500NU	500N	30	60	50	27	SR50	12	36	91	M5,6 deep	42	3.6kHz	0.5kg
RCD-1KNU	1kN	30	60	50	27	SR50	12	36	91	M5,6 deep	42	5.4kHz	0.5kg
RCD-2KNU	2kN	30	60	50	27	SR50	12	36	91	M5,6 deep	42	7.8kHz	0.5kg
RCD-5KNU	5kN	30	60	50	27	SR50	12	36	91	M5,6 deep	42	13kHz	0.5kg
RCD-10KNU	10kN	30	60	50	27	SR50	12	36	91	M5,6 deep	42	16kHz	0.5kg
RCD-20KNU	20kN	30	60	50	27	SR50	12	36	91	M5,6 deep	42	23kHz	0.6kg
RCD-50KNU	50kN	40	98	88	35	SR70	24	65	100	M8,15 deep	76	7.7kHz	1.6kg
RCD-100KNU	100kN	40	98	88	35	SR70	24	65	100	M8,15 deep	76	11kHz	1.6kg
RCD-200KNU	200kN	45	116	108	40	SR100	33	73	110	M8,15 deep	90	5.0kHz	2.9kg

- * Confirmation to undescribed items to be made with reference to descriptions on instruction manuals or directly to this Company.
- * Items are produced only on order placed.

Specifications

Safe Overload	150%RC
Rated Output	2mV/V±1%
Nonlinearity	0.15%RO(500N~20kN) 0.10%RO(50kN~200kN)
Hysteresis	0.15%RO
Repeatability	0.1%RO
Excitation Voltage	12V (or less)
Safe Excitation Voltage	20V
Input Resistance	420Ω
Output Resistance	350Ω
Compensated Temp.Range	-10 to 60°C
Safe Temp.Range	-30 to 80°C
Temp.Effect on Zero	0.01%RO/°C
Temp.Effect on Output	0.01%/°C
Cable	Φ9.4mm-4wire shielded cable, length : 5m