

## "RCE" / Column type and High output

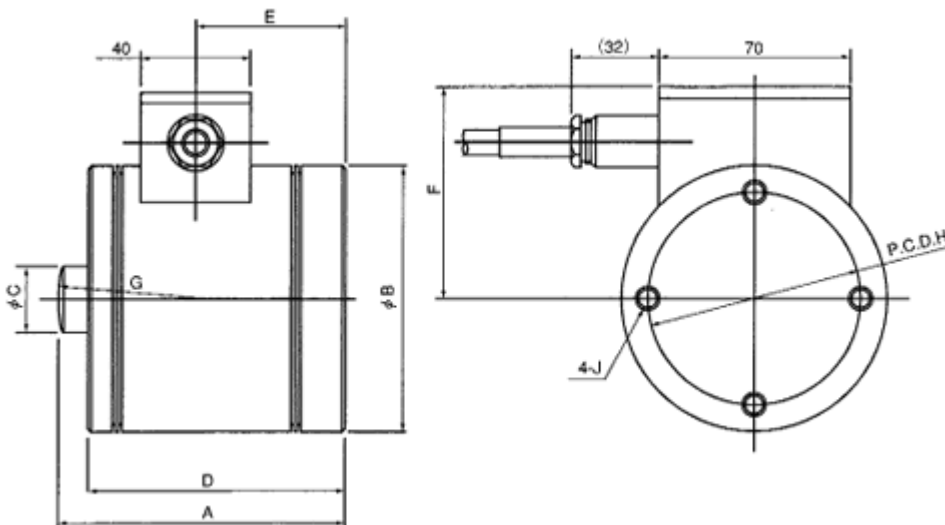


### Features

- High stability. Filled with inactive gases.
- Hermetically sealed welded construction insuring excellent environmental proof features.
- Covering a wide range of capacities: (5kN to 1MN).
- Low cost.
- Main applications: For testing machines, industrial machines, etc.
- Accuracy class: 0.2%.

Related products : [RC](#) / [RCU](#)...

### Appearance Dimensions



Model and Capacity / Dimension / etc. (unit : mm)

Model	Capacity	A	B	C	D	E	F	G	H	J	Natural frequency	Weight
RCE-5KN	5kN	100	100	16	88	49	78	SR50	80	M8,12 deep	4.4kHz	3.3kg
RCE-10KN	10kN	100	100	16	88	49	78	SR50	80	M8,12 deep	6.3kHz	3.3kg
RCE-20KN	20kN	100	100	16	88	49	78	SR50	80	M8,12 deep	9.2kHz	3.3kg
RCE-50KN	50kN	108	100	24	98	58	78	SR70	80	M8,12 deep	9.5kHz	3.9kg
RCE-100KN	100kN	108	100	24	98	58	78	SR70	80	M8,12 deep	11kHz	3.9kg
RCE-200KN	200kN	140	120	33	126	75	91	SR100	90	M8,12 deep	9.9kHz	7.1kg
RCE-500KN	500kN	160	150	55	142	75	108	SR100	110	M8,15 deep	9.5kHz	12.7kg
RCE-1MN	1MN	185	190	72	165	85	130.5	SR400	120	M10,20 deep	15kHz	22kg

- \* Confirmation to undescribed items to be made with reference to descriptions on instruction manuals or directly to this Company.
- \* Items are produced only on order placed.

## Specifications

Safe Overload	150%RC
Rated Output	2mV/V±1%
Nonlinearity	0.2%RO
Hysteresis	0.2%RO
Repeatability	0.1%RO
Excitation Voltage	12V (or less)
Safe Excitation Voltage	20V
Input Resistance	390Ω
Output Resistance	350Ω
Compensated Temp.Range	-10 to 60°C
Safe Temp.Range	-30 to 80°C
Temp.Effect on Zero	0.005%RO/°C
Temp.Effect on Output	0.005%/°C
Cable	Φ8mm-4wire shielded cable, length : 5m
Attached connector	PRC03-12A10-7M