

## "RTB" / Coaxial beam type and Attached Rod-end

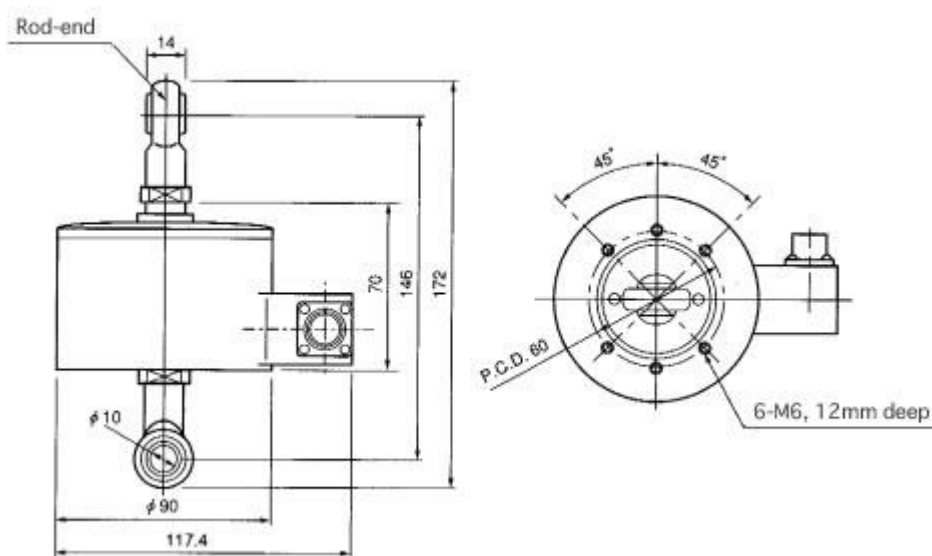


### Features

- High reliability. For versatile applications.
- Most suitable for use in materials testing machines.
- Abundant sales achievements. Low cost.
- Wide capacity ranges (50N to 5kN).
- Supplied with a rod-end attachment for tension use.
- Accuracy class: 0.15%.

Related products : *RTD / RCT-E...*

### Appearance Dimensions



Model and Capacity / Dimension / etc. (unit : mm)

Model	Capacity	Natural frequency	Weight
RTB-50N	50N	0.1kHz	2.3kg
RTB-100N	100N	0.2kHz	2.3kg
RTB-200N	200N	0.3kHz	2.3kg
RTB-500N	500N	0.4kHz	2.3kg
RTB-1KN	1kN	0.6kHz	2.3kg
RTB-2KN	2kN	0.8kHz	2.5kg
RTB-5KN	5kN	1.5kHz	2.5kg

## Specifications

Safe Overload	150%RC
Rated Output	1.5mV/V±1%
Nonlinearity	0.15%RO
Hysteresis	0.15%RO
Repeatability	0.1%RO
Excitation Voltage	10V (or less)
Safe Excitation Voltage	15V
Input Resistance	350Ω
Output Resistance	350Ω
Compensated Temp.Range	− 10 to 60°C
Safe Temp.Range	− 30 to 80°C
Temp.Effect on Zero	0.01%RO/°C
Temp.Effect on Output	0.01%/°C
Connector(on body)	Receptacle / PRC03-21A10-7F
Attached cable	L-A-5 (Refer to transducer connections)