

## "RTD-U" / Coaxial beam type and Water Proof

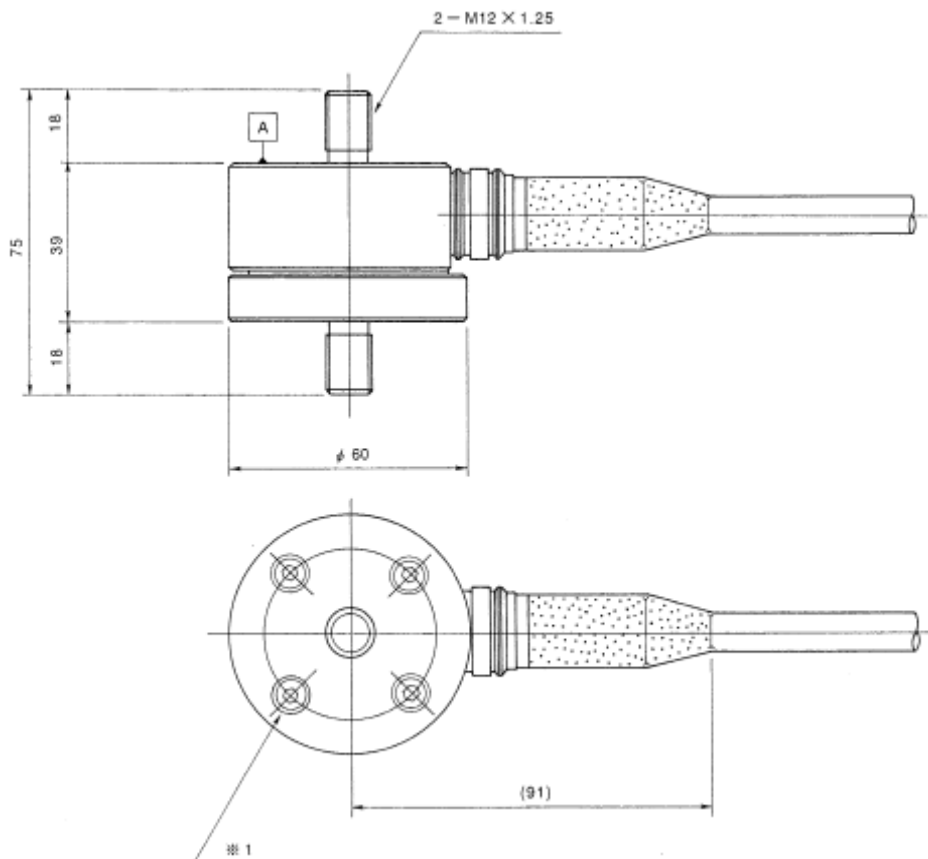


### Features

- Completely satisfying waterproof requirement (JIS C 0920 Class 7). Immersion-proof allowing underwater operation.
- All stainless steel (SUS630) construction.
- Filled with inactive gases. Airtight construction.
- Small size and light weight (Can disassemble the adaptor).
- Can both tension and compression uses.
- Accuracy class: 0.15%.

Related products : [RTD...](#)

### Appearance Dimensions



Model and Capacity / Dimension / etc. (unit : mm)

Model	Capacity	Natural frequency	Weight
RTD-500NU	500N	3.6kHz	1.0kg
RTD-1KNU	1kN	5.4kHz	1.0kg
RTD-2KNU	2kN	7.8kHz	1.0kg
RTD-5KNU	5kN	13kHz	1.0kg
RTD-10KNU	10kN	16kHz	1.1kg
RTD-20KNU	20kN	23kHz	1.1kg

- \* Number of adaptor clamping screws is eight in rated capacities of 10kN and 20kN.
- \* This Model of Load Cell should be mounted on an intended position in such a manner that its mounting jigs never get into touch with the surface "A".

Note that the recommended distance between the jigs and the surface "A" will be 0.5 to 1 mm.

- \* The weight indicated in this data sheet does not include the weight of the cables.
- \* Items are produced only on order placed.

## Specifications

Safe Overload	150%RC(500N~10kN) 120%RC(20kN)
Rated Output	2mV/V±1%
Nonlinearity	0.15%RO
Hysteresis	0.15%RO
Repeatability	0.1%RO
Excitation Voltage	12V (or less)
Safe Excitation Voltage	20V
Input Resistance	420Ω
Output Resistance	350Ω
Compensated Temp.Range	-10 to 60°C
Safe Temp.Range	-30 to 80°C
Temp.Effect on Zero	0.01%RO/°C
Temp.Effect on Output	0.01%/°C
Cable	Φ9.4mm-4wire shielded cable, length : 5m