

"RTE" / Coaxial beam type and High Accuracy

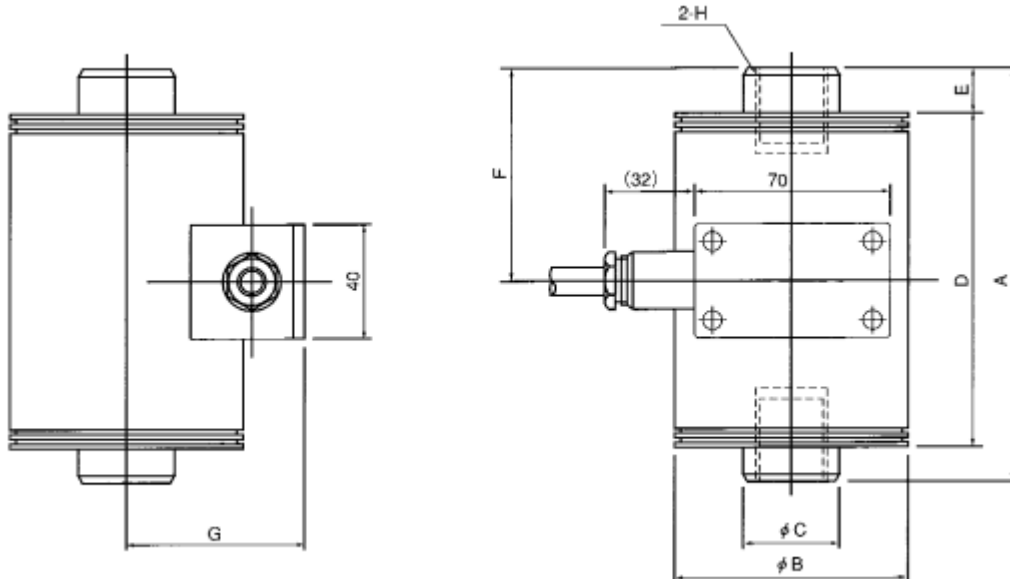


Features

- High accuracy. High stability. Filled with inactive gases.
- Hermetical sealed construction insuring excellent environmental proof features.
- Meeting a high capacity tension requirement (2kN to 200kN),
- Low cost in welded construction (Satisfying OEM requirement).
- Main applications: Measuring machines, industrial machines, etc.
- Accuracy class: 0.05%.

Related products : RTU...

Appearance Dimensions



Model and Capacity / Dimension / etc. (unit : mm)

Model	Capacity	A	B	C	D	E	F	G	H	Weight
RTE-2KN	2kN	115	85	18	93	12	60	66.5	M12*1.75,14 deep	2.8kg
RTE-5KN	5kN	115	85	18	93	12	60	66.5	M12*1.75,14 deep	2.8kg
RTE-10KN	10kN	115	85	18	93	12	60	66.5	M12*1.75,14 deep	2.8kg
RTE-20KN	20kN	148.5	85	35	119.5	16	75.5	66.5	M24*2,32 deep	3.3kg
RTE-50KN	50kN	148.5	85	35	119.5	16	75.5	66.5	M24*2,32 deep	3.3kg
RTE-100KN	100kN	213	127	48	160	30	110	95.5	M36*2,45 deep	7.2kg
RTE-200KN	200kN	290	166	70	210	40	140	118	M48*3,60 deep	18kg

- * Items are produced only on order placed.

Specifications

Safe Overload	150%RC
Rated Output	3mV/V±1%
Nonlinearity	0.05%RO
Hysteresis	0.05%RO
Repeatability	0.03%RO
Excitation Voltage	12V (or less)
Safe Excitation Voltage	20V
Input Resistance	350Ω
Output Resistance	350Ω
Compensated Temp.Range	-10 to 60°C
Safe Temp.Range	-30 to 80°C
Temp.Effect on Zero	0.005%RO/°C
Temp.Effect on Output	0.005%/°C
Cable	Ø8mm-4wire shielded cable, length : 5m