

"RTU" / Coaxial beam type and High Accuracy

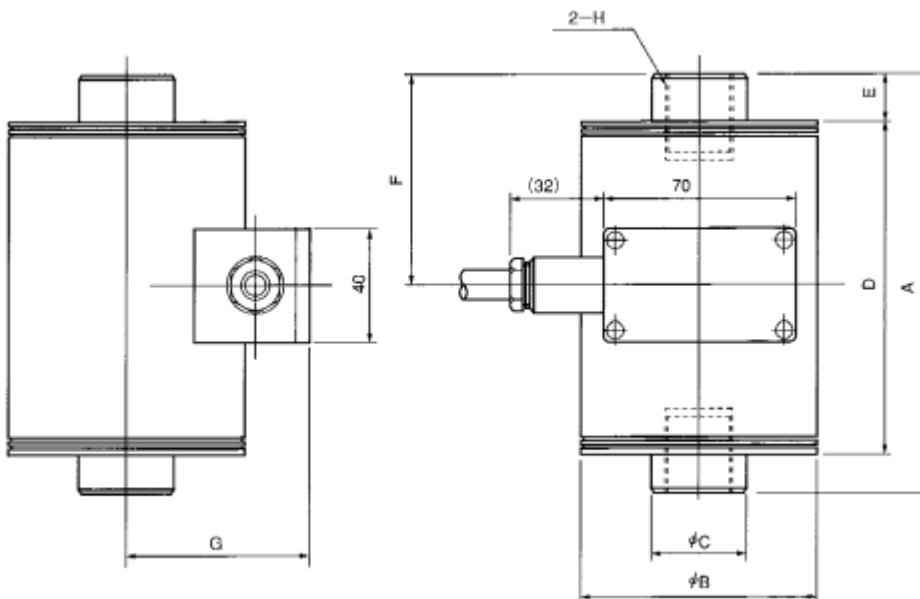


Features

- High accuracy. High stability. Filled with inactive gases.
- Completely hermetically sealed construction ensuring excellency in solving environmental requirements.
- Conforming with high capacity tension requirements (10kN to 200kN).
- Using a cable (6-conductor cable) complying with the remote sensing requirements.
- Main applications: Measuring devices and industrial machines.
- Accuracy class: 0.03%

Related products : RTE...

Appearance Dimensions



Model and Capacity / Dimension / etc. (unit : mm)

Model	Capacity	A	B	C	D	E	F	G	H	Weight
RTU-10KN	10kN	115	85	18	93	12	60	66.5	M12*1.75,14 deep	2.9kg
RTU-20KN	20kN	148.5	85	35	119.5	16	75.5	66.5	M24*2,32 deep	3.4kg
RTU-50KN	50kN	148.5	85	35	119.5	16	75.5	66.5	M24*2,32 deep	3.4kg
RTU-100KN	100kN	213	127	48	160	30	110	95.5	M36*2,45 deep	7.4kg
RTU-200KN	200kN	290	166	70	210	40	140	118	M48*3,60 deep	18kg

- * Items are produced only on order placed.

Specifications

Safe Overload	150%RC
Rated Output	3mV/V±1%
Nonlinearity	0.03%RO
Hysteresis	0.03%RO
Repeatability	0.02%RO
Excitation Voltage	12V (or less)
Safe Excitation Voltage	20V
Input Resistance	350Ω
Output Resistance	350Ω
Compensated Temp.Range	-10 to 60°C
Safe Temp.Range	-30 to 80°C
Temp.Effect on Zero	0.002%RO/°C
Temp.Effect on Output	0.002%/°C
Cable	Φ9.6mm-6wire shielded cable, length : 5m