

"SHE-LH" / Shear beam type and High & Low Temperature

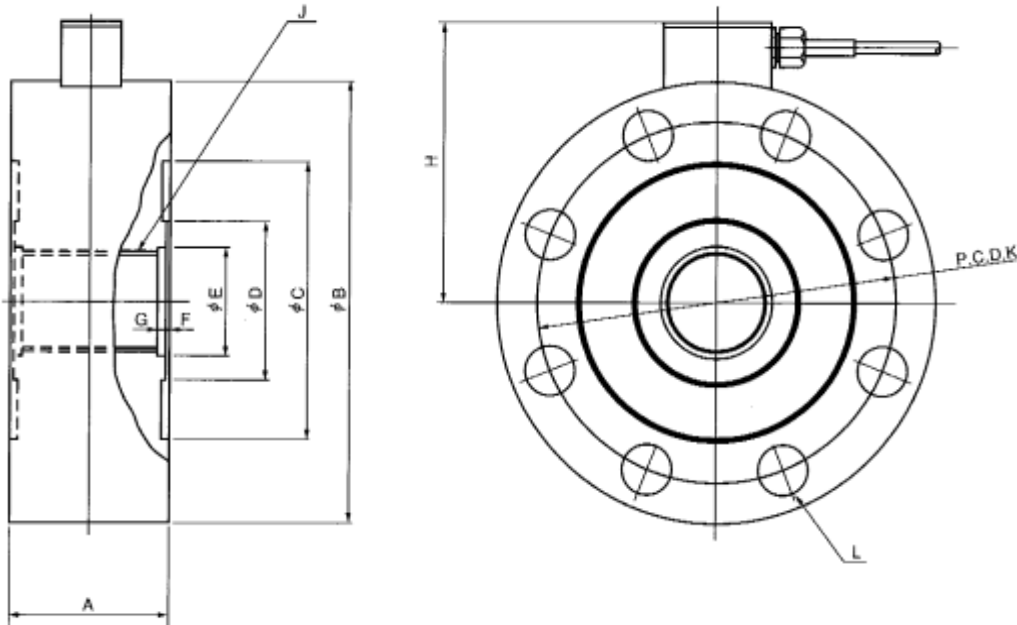


Features

- Suitable for use at high and low temperatures (-40 to 150°C)
- All stainless steel construction (SUS630).
- Supplied with an inspection data sheet in both tension and compression directions.
- Easy to treat because of its larger freedom in the mounting.
- Excellent in deflection proof and fatigue proof features.
- Accuracy class : 0.05%.

Related products : [SH](#) / [SHE](#) / [SHE-U...](#)

Appearance Dimensions



Model and Capacity / Dimension / etc. (unit : mm)

Model	Capacity	A	B	C	D	E	F/G	H	J	K	L	Natural frequency	Weight
SHE-5KNLH	5kN	40	105	65	35	20	1/3	77	M18*1.5	85	8-Φ9	3.5kHz	2.2kg
SHE-10KNLH	10kN	40	105	65	35	20	1/3	77	M18*1.5	85	8-Φ9	5.0kHz	2.2kg
SHE-20KNLH	20kN	40	105	65	35	20	1/3	77	M18*1.5	85	8-Φ9	7.6kHz	2.2kg
SHE-50KNLH	50kN	50	120	74	40	26	1/4	86	M24*1.5	95	8-Φ11	8.8kHz	3.7kg
SHE-100KNLH	100kN	65	160	100	60	40	1/5	108.5	M36*2	130	8-Φ18	7.0kHz	8.5kg
SHE-200KNLH	200kN	80	220	140	80	55	1/5	140.5	M50*2	180	8-Φ26	5.6kHz	20kg

- * The clearance tolerance of "E" comes to "H7".
- * Confirmation to undescribed items to be made with reference to descriptions on instruction manuals or directly to this Company.
- * Items are produced only on order placed.

Specifications

Safe Overload	150%RC
Rated Output	2mV/V
Nonlinearity	0.2%RO
Hysteresis	0.2%RO
Repeatability	0.1%RO
Excitation Voltage	10V (or less)
Safe Excitation Voltage	15V
Input Resistance	350Ω
Output Resistance	350Ω
Compensated Temp.Range	− 40 to 150°C
Safe Temp.Range	− 40 to 180°C
Temp.Effect on Zero	0.02%RO/°C (20 to 150°C) 0.03%RO/°C (− 40 to 20°C)
Temp.Effect on Output	0.01%/°C
Cable	Φ6mm-4wire shielded heat-resistant cable, length : 5m