

"SHE-U" / Shear beam type and Water Proof

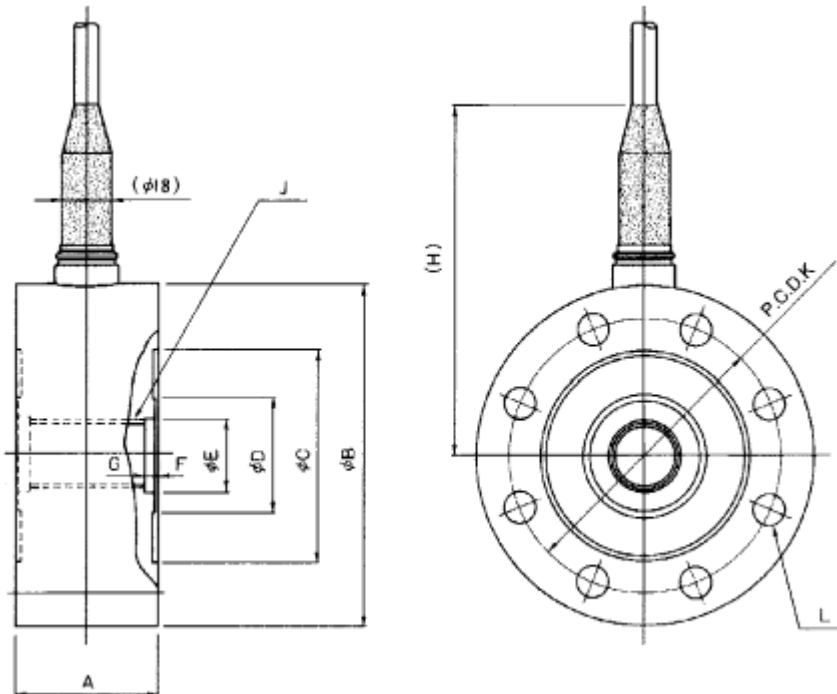


Features

- Perfectly coping with water proof requirement (JIS C 0920 No. 7 Class). Immersion-proof. Can be put into underwater applications.
- All stainless construction (SUS630).
- Supplied with an inspection data sheet in both tension and compression direction.
- Easy to treat because of its larger freedom in the mounting.
- Excellent in deflection proof and fatigue proof features.
- Accuracy class : 0.05%

Related products : [SH](#) / [SHE](#) / [SHE-LH...](#)

Appearance Dimensions



Model and Capacity / Dimension / etc. (unit : mm)

Model	Capacity	A	B	C	D	E	F/G	J	K	L	Natural frequency	Weight
SHE-5KNU	5kN	40	105	65	35	20	1/3	M18*1.5	85	8-Φ9	3.5kHz	2.0kg
SHE-10KNU	10kN	40	105	65	35	20	1/3	M18*1.5	85	8-Φ9	5.0kHz	2.0kg
SHE-20KNU	20kN	40	105	65	35	20	1/3	M18*1.5	85	8-Φ9	7.6kHz	2.0kg
SHE-50KNU	50kN	50	120	74	40	26	1/4	M24*1.5	95	8-Φ11	8.8kHz	3.5kg
SHE-100KNU	100kN	65	160	100	60	40	1/5	M36*2	130	8-Φ18	7.0kHz	8.3kg
SHE-200KNU	200kN	80	220	140	80	55	1/5	M50*2	180	8-Φ26	5.6kHz	20kg

- * The clearance tolerance of "E" comes to "H7".
- * Confirmation to undescribed items to be made with reference to descriptions on instruction manuals or directly to this Company.
- * Items are produced only on order placed.

Specifications

Safe Overload	150%RC
Rated Output	2mV/V±1%
Nonlinearity	0.05%RO
Hysteresis	0.1%RO
Repeatability	0.05%RO
Excitation Voltage	12V (or less)
Safe Excitation Voltage	20V
Input Resistance	350Ω
Output Resistance	350Ω
Compensated Temp.Range	− 10 to 60°C
Safe Temp.Range	− 30 to 80°C
Temp.Effect on Zero	0.005%RO/°C
Temp.Effect on Output	0.01%/°C
Cable	Φ9.4mm-4wire shielded cable, length : 5m