

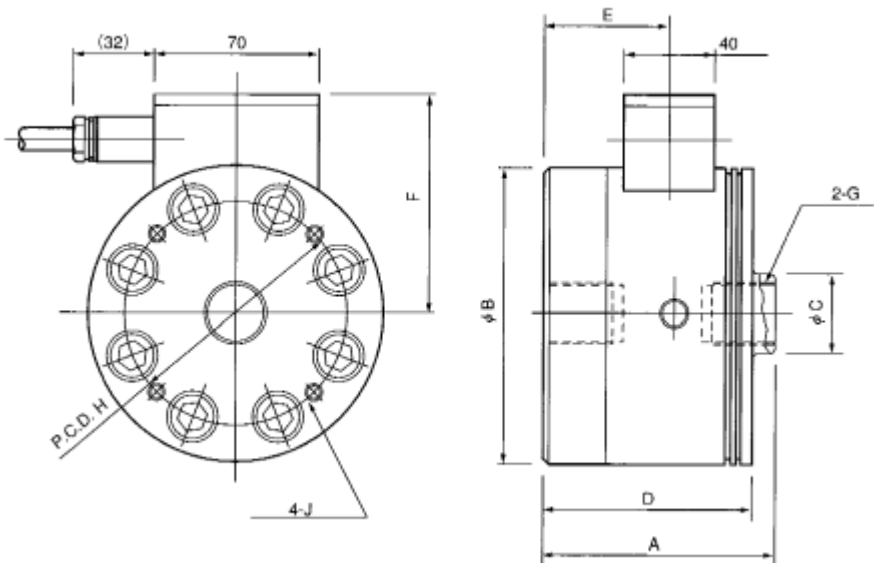
## "SHU" / Shear beam type and High Accuracy



### Features

- High accuracy tension and compression type.
- An inactive gas being filled in and completely hermetically sealed welded construction.
- Coping with remote sensing requirement (with 6-conductor shielded cable).
- Excellent in deflection proof and fatigue proof features.
- Widely used in fatigue testing machines and industrial machines.
- Accuracy class: 0.03%

### Appearance Dimensions



Model and Capacity / Dimension / etc. (unit : mm)

Model	Capacity	A	B	C	D	E	F	G	H	J	Natural frequency	Weight
SHU-10KN	10kN	80	100	22	72	42	78	M12*1.75深20	80	M8深12	6.0kHz	3.2kg
SHU-20KN	20kN	80	100	22	72	42	78	M16*2深20	80	M8深12	8.6kHz	3.2kg
SHU-50KN	50kN	95	125	34	85	52	94	M24*2深30	95	M8深15	6.4kHz	6.8kg
SHU-100KN	100kN	135	160	48	120	75	114	M36*2深45	120	M8深15	5.9kHz	16kg
SHU-200KN	200kN	170	200	65	155	100	136	M48*3深60	160	M8深15	4.9kHz	34kg
SHU-500KN	500kN	270	310	105	250	165	192	M80*3深90	230	M16深30	4.0kHz	135kg
SHU-1MN	1MN	330	400	150	310	210	239	M110*4深110	300	M16深40	3.5kHz	280kg

- \* Confirmation to undescribed items to be made with reference to descriptions on instruction manuals or directly to this Company.
- \* Items are produced only on order placed.

## Specifications

Safe Overload	150%RC
Rated Output	2mV/V±1%
Nonlinearity	0.03%RO
Hysteresis	0.03%RO
Repeatability	0.02%RO
Excitation Voltage	12V (or less)
Safe Excitation Voltage	20V
Input Resistance	350Ω
Output Resistance	350Ω
Compensated Temp.Range	− 10 to 60°C
Safe Temp.Range	− 30 to 80°C
Temp.Effect on Zero	0.002%RO/°C
Temp.Effect on Output	0.002%/°C
Cable	Φ8mm-4wire shielded cable, length : 5m