

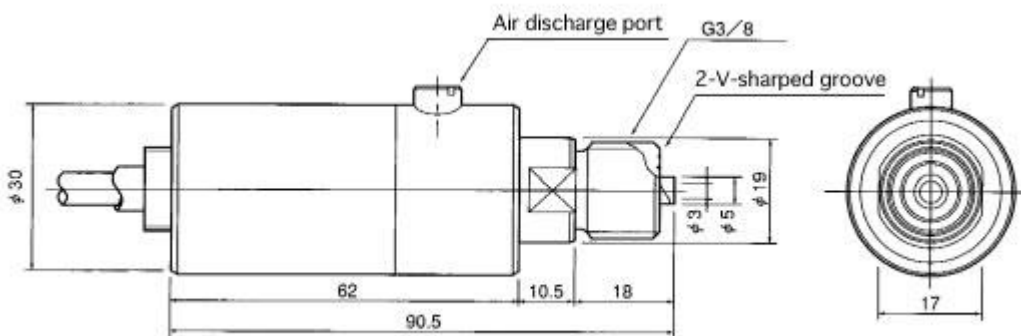
"HVU" / General Purpose



Features

- For versatile applications. High stability type.
- Pressure conduit type. Airtight structure.
- All stainless steel made.
- Accuracy class: 0.3% RO, excluding some rated capacities.
- With direct drawn out cable in the standard version. Can change to special versions with [NDIS connector](#) or with [waterproof connector](#) on optional orders.

Appearance Dimensions



Model and Capacity / Frequency response / etc. (unit : mm)

Model	Capacity	Natural frequency	Weight
HVU-1MPa	1MPa(10.20kgf/cm ²)	16kHz	250g
HVU-2MPa	2MPa(20.39kgf/cm ²)	17kHz	250g
HVU-5MPa	5MPa(50.99kgf/cm ²)	40kHz	250g
HVU-10MPa	10MPa(102.0kgf/cm ²)	65kHz	250g
HVU-20MPa	20MPa(203.9kgf/cm ²)	60kHz	250g
HVU-50MPa	50MPa(509.9kgf/cm ²)	94kHz	250g

- * The weight indicated in the tables of this data sheet does not include the weight of relay cables.

- * The numerical values of the natural frequency indicated in this data sheet are the calculated values of the independent single elastic body. The pressure response is dependent on features of the pressure media and so on.

Specifications

Safe Overload	120%RC
Rated Output	1.5mV/V \pm 1% (1MPa)
	2.0mV/V \pm 1% (2MPa to 50MPa)
Nonlinearity	0.5%RO (1MPa)
	0.3%RO (2MPa to 50MPa)
Hysteresis	0.5%RO (1MPa)
	0.3%RO (2MPa to 50MPa)
Repeatability	0.3%RO (1MPa)
	0.2%RO (2MPa to 50MPa)
Excitation Voltage	10V (or less)
Safe Excitation Voltage	15V
Input Resistance	350 Ω
Output Resistance	350 Ω
Compensated Temp.Range	-10 to 60 $^{\circ}$ C
Safe Temp.Range	-20 to 80 $^{\circ}$ C
Temp.Effect on Zero	0.03%RO/ $^{\circ}$ C (1MPa)
	0.02%RO/ $^{\circ}$ C (2MPa to 50MPa)
Temp.Effect on Output	0.05%/ $^{\circ}$ C
Cable	Φ 6mm-4wire shielded cable, length : 0.3m
Connector	Jack / PRC03-32A10-7F
Attached cable	L-A-5 (Refer to transducer connections)