

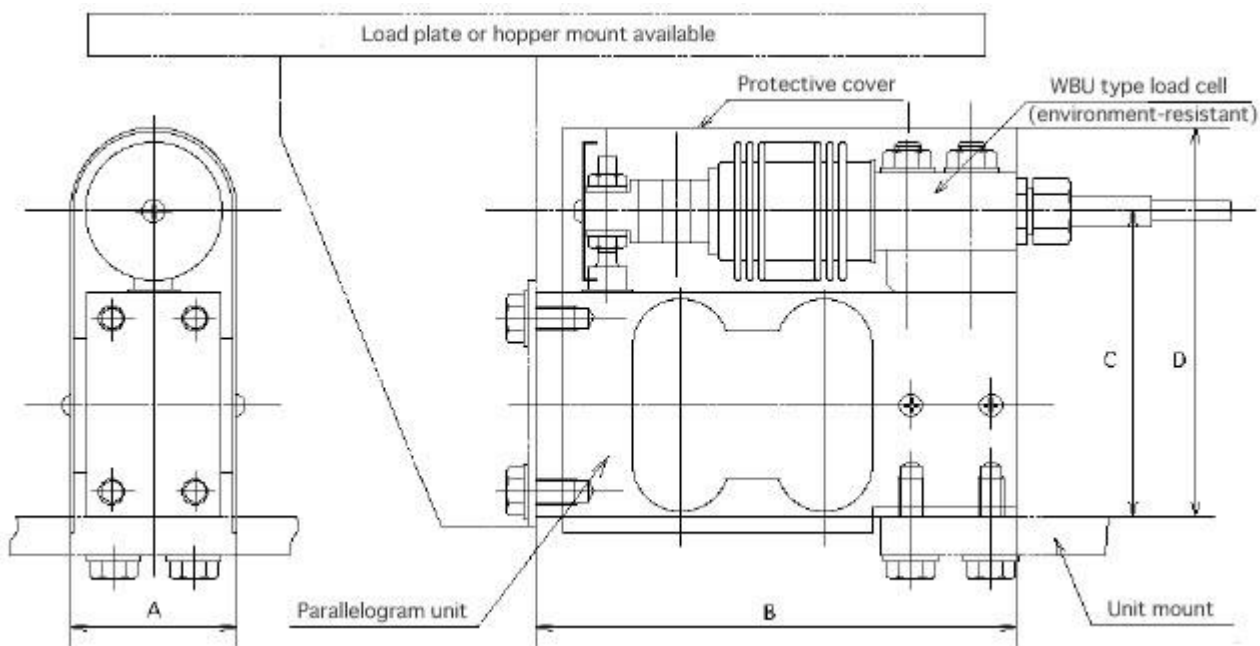
"MUF..." / Unit of weight measurement



Features

- The mounting base for measurement can be realized merely installing the base plate on the bottom surface of this Model as the measuring unit.
- A high accuracy load cell Model "WBU" is incorporated in the "MUF..." as sensing element, thereby a high stability and excellent environmental capabilities of 0.02% in accuracy are insured.
- A high accuracy parallelogram unit is used as the measuring device in the "MUF...", and therefore even a mounting base of large scale can be installed on the "MUF..." freely without problem.
- An overall accuracy throughout the whole sphere of the mounting base of Model "MUF..." is surely guaranteed to be 0.02% because its 4-corner performances (in other words, gravity center leaving performances) are 0.0025%/cm.
- Can effect high speed measurement because of its high rigidity.

Appearance Dimensions



Model and Capacity / Dimension / etc. (unit : mm)

Model	Capacity	A	B	C	D	Maximum mounting base size	Weight
MUF-3K-200	3kgf(29.42N)	52	150	85.5	111.5	200*280	約1kg
MUF-12K-198	12kgf(117.7N)	52	150	85.5	111.5	200*280	約1kg

MUF-25K-212	25kgf(245.2N)	52	150	95.5	121.5	200*280	約1kg
-------------	---------------	----	-----	------	-------	---------	------

- * The position of the center of the gravity is determined taking the end surface of parallelogram as standard.

Specifications

Safe Overload	170%RC
Maximum permissible overload	250%RC
Rated Output	2mV/V
Nonlinearity	0.02%RO
Hysteresis	0.02%RO
Repeatability	0.015%RO
Excitation Voltage	12V (or less)
Safe Excitation Voltage	20V
Input Rsistance	350Ω
Output Rsistance	350Ω
Compensated Temp.Range	-10 to 60°C
Safe Temp.Range	-30 to 80°C
Temp.Effect on Zero	0.002%RO/°C
Temp.Effect on Output	0.0015%/°C
Cable	Φ 6mm-4wire shielded cable, length : 5 m