

"RCT-580" / Load Cells for positioning stage

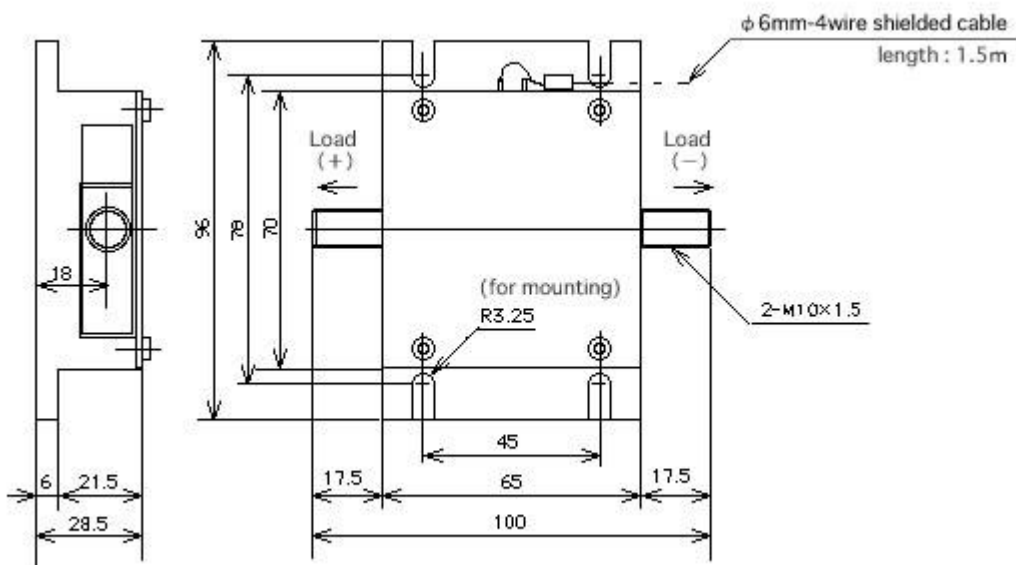


Features

- High accuracy. Low cost. Compact sizes.
- Easy for mounting on stages or like those because of its low overall height.
- For both tension and compression applications. Wide capacity ranges (20N to 1kN).
- Accuracy class: 0.05%RO.

Related products : [Ultralow-Capacity Load Cell \(Capacity : 1N~20N\)](#)

Appearance Dimensions



Model and Capacity / Dimension / etc. (unit : mm)

Model	Capacity	Weight
RCT-20N-580	20N	約330g
RCT-50N-580	50N	約330g
RCT-500N-580	500N	約330g
RCT-1KN-580	1kN	約330g

- * The weight indicated in the tables of this data sheet does not include the weight of cables.
- * Can offer Model "RCT-580" with rated capacities of 100N and 200N.

Specifications

Safe Overload	150%RC
Rated Output	1mV/V±1%
Nonlinearity	0.05%RO
Hysteresis	0.05%RO
Repeatability	0.03%RO
Excitation Voltage	10V (or less)
Safe Excitation Voltage	15V
Input Resistance	350Ω
Output Resistance	350Ω
Compensated Temp.Range	0 to 50°C
Safe Temp.Range	-10 to 60°C
Temp.Effect on Zero	0.01%RO/°C
Temp.Effect on Output	0.01%/°C
Cable	Φ 6mm-4wire shielded cable, length : 1.5m