

## "TCL-FA" / Dial-gage type

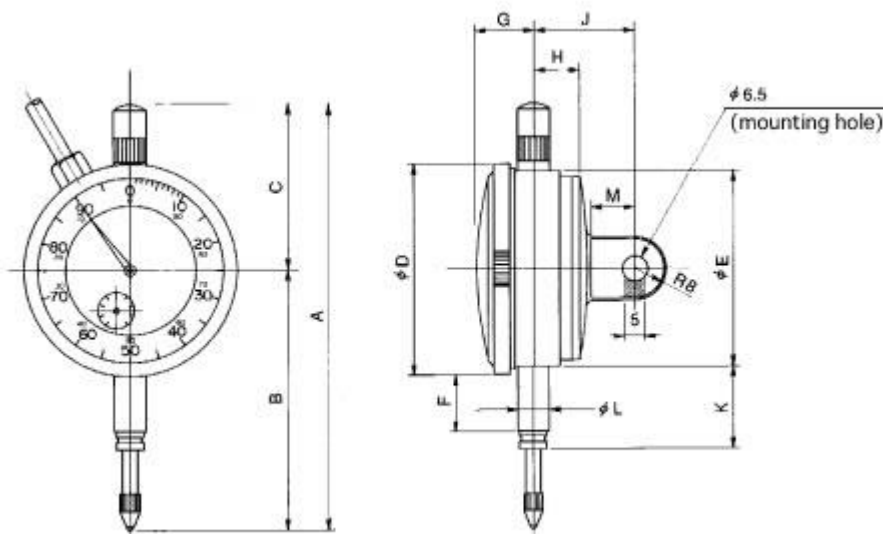


### Features

- Easy to handle because of the dial gage system employed (Graduation: 0.01mm).
- Less variation with lapse of time because of the cantilever system employed.
- Excellent thermal characteristics because of the compensation circuit inserted into the system.
- Can make calibration simply by utilizing graduations on the dial gage (Note that the dial graduations show calibration reference values only).
- Accuracy class: 0.5% RO.

Related products : [Sliding resistance](#) / [Small Cantilever](#) / [Long stroke](#) / [Inductance "L"](#) / [Inductance "LR"...](#)

### Appearance Dimensions



Model and Capacity / Dimension / etc. (unit : mm)

Model	Capacity	A	B	C	D	E	F	G	H	J	K	L	M	Reaction force(N):start point/end point	Weight
TCL-5FA	5mm	106.5	65	41.5	52.8	49	14.1	14.5	11.5	25	20.5	8	11	0.5/1.6	155g
TCL-10FA	10mm	106.5	65	41.5	52.8	49	14.1	14.5	11.5	25	20.5	8	11	0.5/1.8	155g

TCL-20FA	20mm	129.5	88.5	41	66.5	62.5	20	14.5	12	24	27	8	10.5	0.6/2.0	170g
TCL-30FA	30mm	146.5	100.5	46	77.5	72.5	17.3	17.5	11	24	25.3	8	11	0.6/2.2	220g

- \* The weight indicated in the tables of this data sheet does not include the weight of cables.

## Specifications

Rated Output	1.5mV/V±1%
Nonlinearity	0.5%RO
Hysteresis	0.5%RO
Repeatability	0.3%RO
Excitation Voltage	3V (or less)
Safe Excitation Voltage	4V
Input Rsistance	350Ω
Output Rsistance	350Ω
Compensated Temp.Range	5 to 40°C
Safe Temp.Range	5 to 50°C
Temp.Effect on Zero	0.02%RO/°C
Temp.Effect on Output	0.02%/°C
Cable	Φ4mm-4wire shielded cable, length : 0.3m
Attached connector	Jack / PRC03-32A10-7F

### Remarks:

No relay cable is provided in this displacement detector. Utilize any of relay cables (with however connector of NDIS Standard) already in your possession or purchase from us separately a recommended relay cable specifying Part No. [C-A-5...](#)