

"TCL-M" / Small Cantilever type

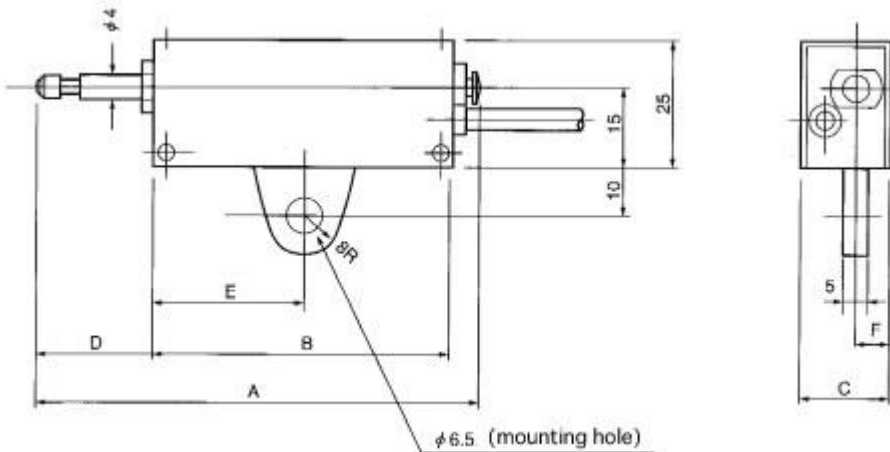


Features

- Small size. Light weight. Low cost.
- Less variation with lapse of time because of the cantilever system employed.
- Accuracy class: 0.5% RO.

Related products : [Sliding resistance](#) / [Dial-gage](#) / [Long stroke](#) / [Inductance "L"](#) / [Inductance "LR"...](#)

Appearance Dimensions



Model and Capacity / Dimension / etc. (unit : mm)

Model	Capacity	A	B	C	D	E	F	Reaction force(N):start point/end point	Weight
TCL-5M	5mm	67	45	22	18	20	11	2.0/5.0	150g
TCL-10M	10mm	91	60	18	25	30	7	2.0/5.0	200g
TCL-20M	20mm	101	60	18	35	30	7	1.5/4.5	250g
TCL-30M	30mm	131	80	18	45	40	7	1.0/4.0	300g
TCL-50M	50mm	171	100	18	65	50	7	1.0/4.0	400g

- * The weight indicated in the tables of this data sheet does not include the weight of cables.

Specifications

Rated Output	1.5mV/V±1%
Nonlinearity	0.5%RO
Hysteresis	0.5%RO
Repeatability	0.3%RO
Excitation Voltage	3V (or less)
Safe Excitation Voltage	4V
Input Rsistance	120Ω
Output Rsistance	120Ω
Compensated Temp.Range	0 to 50°C
Safe Temp.Range	0 to 60°C
Temp.Effect on Zero	0.05%RO/°C
Temp.Effect on Output	0.08%RO/°C
Cable	Φ4mm-4wire shielded cable, length : 0.3m
Attached connector	Jack / PRC03-32A10-7F

Remarks:

No relay cable is provided in this displacement detector. Utilize any of relay cables (with however connector of NDIS Standard) already in your possession or purchase from us separately a recommended relay cable specifying Part No. [C-A-5...](#)