

"TP-L" / Ultralow-Capacity Torque Transducer (Reaction)

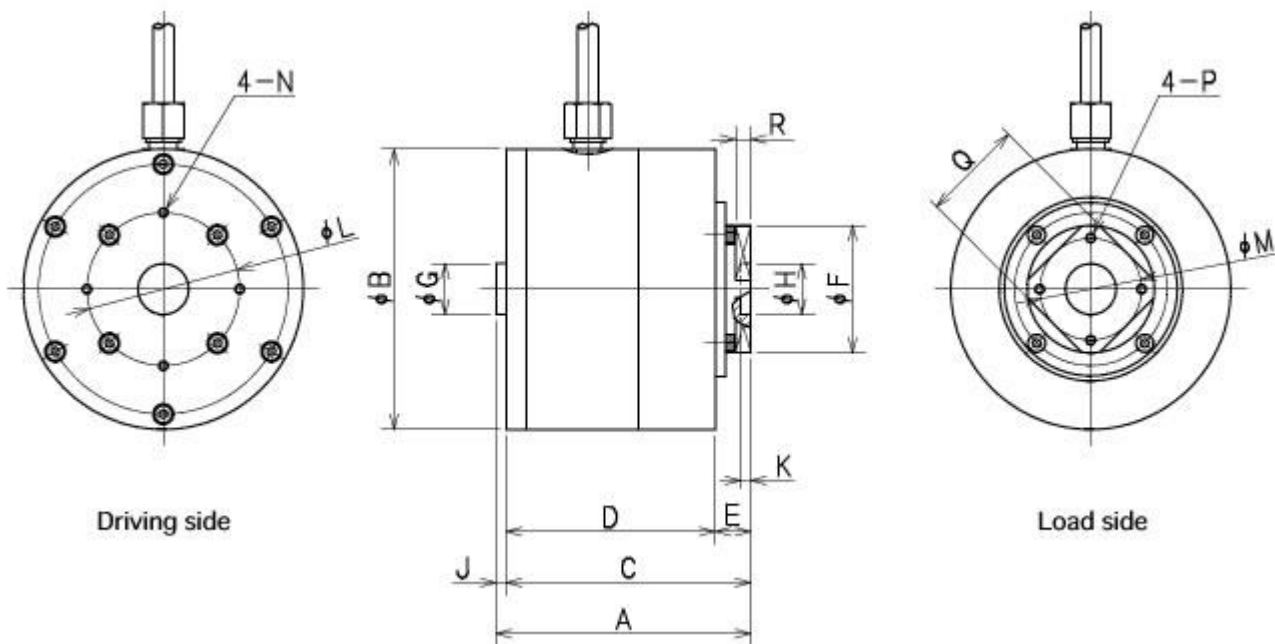


Features

- Detecting ultra low values of torque (1 to 100N•cm) in better accuracies.
- All aluminium construction. Small size and light weight (200g approx.).
- Applications: Material testing machines, testing equipment, etc.

Related products : [Rotary](#) / [Reaction](#) / [High-Capacity](#) / [Reaction](#) / [Low-Capacity...](#)

Appearance Dimensions



Model and Capacity / Dimension / etc. (unit : mm)

Model	Capacity	A	B	C	D	E	F	G/H	J/K	L	M	N/P	Q	R	Weight
TP-1NCL	1N•cm	50	55	48	41	7	25	10	2	30	20	M2,4 deep	21	3	200 g
TP-2NCL	2N•cm	50	55	48	41	7	25	10	2	30	20	M2,4 deep	21	3	200 g
TP-5NCL	5N•cm	56	55	54	47	7	25	10	2	30	20	M2,4 deep	21	3	250 g
TP-10NCL	10N•cm	56	55	54	47	7	25	10	2	30	20	M2,4 deep	21	3	250 g

TP-20NCL	20N•cm	60	55	58	51	7	25	10	2	30	20	M2,4 deep	21	3	280 g
TP-50NCL	50N•cm	65	60	63	56	7	25	10	2	30	20	M2,4 deep	21	3	300 g
TP-100NCL	100N•cm	65	60	63	56	7	25	10	2	30	20	M2,4 deep	21	3	300 g

- * Items are produced only on order placed.

Specifications

Safe Overload	150% RC
Rated Output	1.0mV/V±20%
Nonlinearity	0.3%RO
Hysteresis	0.3%RO
Repeatability	0.2%RO
Excitation Voltage	4V (or less)
Safe Excitation Voltage	6V
Input Rsistance	350Ω
Output Rsistance	350Ω
Compensated Temp.Range	-10 to 40°C
Safe Temp.Range	-20 to 60°C
Temp.Effect on Zero	0.03%RO/°C
Temp.Effect on Output	0.05%RO/°C
Cable	Φ4mm-4wire shielded cable, length : 3m
Attached connector	PRC03-12A10-7M