

"TP-R" / Low-Capacity Torque Transducer (Reaction)

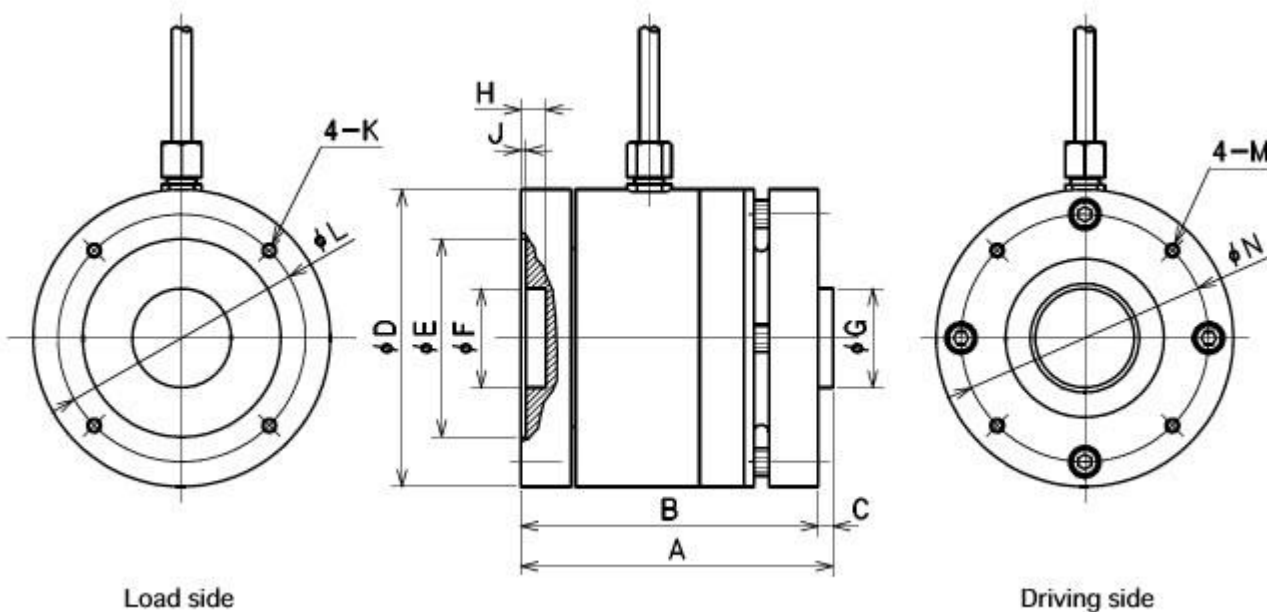


Features

- Detecting low capacity ranges (50 to 1000N•cm) on better accuracies.
- High rigidity with less torsional angles. Most suitable for high response measurements.
- All aluminium construction. Small size and light weight.
- Applications: Material testing machines, testing equipment, etc.

Related products : [Rotary](#) / [Reaction](#) / [High-Capacity](#) / [Reaction](#) / [Ultralow-Capacity...](#)

Appearance Dimensions



Model and Capacity / Dimension / etc. (unit : mm)

Model	Capacity	A	B	C	D	E	F	G	H	J	K	L	M	N	Weight
TP-50NCR	50N•cm	58	55	3	45	25	10	10	5	1	M3,6 deep	35	M3,6 deep	35	150 g
TP-100NCR	100N•cm	63	60	3	50	30	12	12	5	1	M3,6 deep	40	M3,6 deep	40	200 g
TP-200NCR	200N•cm	63	60	3	50	30	12	12	5	1	M3,6 deep	40	M3,6 deep	40	200 g

TP-500NCR	500N•cm	63	60	3	60	40	20	20	5	1	M3,6 deep	50	M3,6 deep	50	280 g
TP-1000NCR	1000N•cm	63	60	3	60	40	20	20	5	1	M3,6 deep	50	M3,6 deep	50	280 g

- * Items are produced only on order placed.
- * Rating in torsional angles : 1.05×10^{-3} to 4.36×10^{-4} rad

Specifications

Safe Overload	150% RC
Rated Output	1.0mV/V \pm 20%
Nonlinearity	0.2%RO
Hysteresis	0.2%RO
Repeatability	0.1%RO
Excitation Voltage	4V (or less)
Safe Excitation Voltage	6V
Input Rsistance	350 Ω
Output Rsistance	350 Ω
Compensated Temp.Range	-10 to 40°C
Safe Temp.Range	-20 to 60°C
Temp.Effect on Zero	0.03%RO/°C
Temp.Effect on Output	0.05%RO/°C
Cable	Φ 4mm-4wire shielded cable, length : 3m
Attached connector	PRC03-12A10-7M